

# Bourdon tube pressure gauge

## Test gauge series, class 0.6

### Models 332.50, 333.50

WIKA data sheet PM 03.06



for further approvals  
see page 3

#### Applications

- With liquid-filled case for applications with high dynamic pressure loads or vibrations <sup>1)</sup>
- For gaseous and liquid aggressive media that are not highly viscous or crystallising, also in aggressive ambience
- Precision measurement in laboratories
- High-accuracy pressure measurement
- Testing of industrial type pressure gauges

#### Special features

- All stainless steel construction
- Knife edge pointer for optimal accuracy of reading
- Wear-resistant precision movement from stainless steel
- Scale ranges up to 0 ... 1,600 bar



Test gauge series, stainless steel, model 332.50

## Description

### Design

EN 837-1

### Nominal size in mm

160

### Accuracy class

0.6

### Scale ranges

0 ... 0.6 to 0 ... 1,600 bar

or all other equivalent vacuum or combined pressure and vacuum ranges

### Adjustment medium

≤ 25 bar: Gas

> 25 bar: Liquid

### Pressure limitation

Steady: Full scale value

Fluctuating: 0.9 x full scale value

Short time: 1.3 x full scale value

### Permissible temperature

Ambient: -40 ... +60 °C without liquid filling  
-20 ... +60 °C with glycerine filling <sup>1)</sup>

Medium: +200 °C maximum without liquid filling  
+100 °C maximum with liquid filling <sup>1)</sup>

### Temperature effect

When the temperature of the measuring system deviates from the reference temperature (+20 °C): max. ±0.4 %/10 K of full scale value

### Ingress protection

IP65 per IEC/EN 60529

<sup>1)</sup> Model 333.50

## Standard version

### Process connection

Stainless steel 316L,  
lower mount (LM) or lower back mount (LBM)  
G ½ B (male), 22 mm flats

### Pressure element

Stainless steel 316L,  
< 100 bar: C-type  
≥ 100 bar: Helical type  
≥ 1,000 bar: Ni-Fe-alloy, helical type

### Movement

Stainless steel

### Dial

Aluminium, white, black lettering

### Pointer

Knife edge pointer, aluminium, black

### Case

Stainless steel, with pressure relief in case back, scale ranges ≤ 0 ... 10 bar with compensating valve to vent case

### Window

Laminated safety glass

### Bezel ring

Cam ring (bayonet type), stainless steel

### Filling liquid (for model 333.50)

Glycerine

## Options

- Other process connection
- Sealings (model 910.17, see data sheet AC 09.08)
- Surface or panel mounting flange, stainless steel
- Triangular bezel, polished stainless steel, with clamp
- Higher indication accuracy (for gauges without liquid filling): Class 0.25 per EN 837 or grade 3A per ASME B 40.1 for scale ranges ≤ 400 bar
- Mirror band scale
- Zero point adjustable from outside (adjustable dial, only without case filling)
- Adjustment medium gas from 25 bar
- Transport case

## EU conformity

### Pressure equipment directive

PS > 200 bar, module A, pressure accessory

## Approvals

- **EAC**, import certificate, customs union Russia/Belarus/Kazakhstan
- **GOST**, metrology/measurement technology, Russia
- **CRN**, safety (e.g. electr. safety, overpressure, ...), Canada

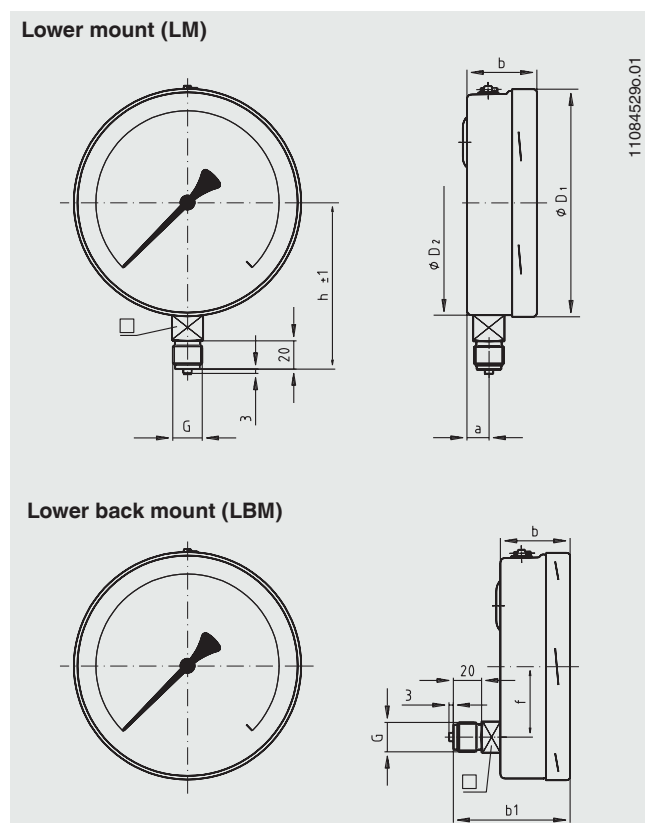
## Certificates (option)

- 2.2 test report per EN 10204 (e.g. state-of-the-art manufacturing, material proof, indication accuracy)
- 3.1 inspection certificate per EN 10204 (e.g. material proof wetted parts metal component, indication accuracy)
- DKD/DakKS certified accuracy

Approvals and certificates, see website

## Dimensions in mm

### Standard version



NS	Dimensions in mm									Weight in kg
	a	b	b1	D <sub>1</sub>	D <sub>2</sub>	f	G	h ±1	SW	
160	15.5 <sup>1)</sup>	49.5 <sup>1)</sup>	83 <sup>1)</sup>	161	159	50	G ½ B	118	22	1.10

Process connection per EN 837-1 / 7.3

1) Plus 16 mm with scale ranges ≤ 4 bar and ≥ 100 bar

### Ordering information

Model / Nominal size / Scale range / Connection size / Connection location / Options

© 03/2008 WIKA Alexander Wiegand SE & Co. KG, all rights reserved.  
 The specifications given in this document represent the state of engineering at the time of publishing.  
 We reserve the right to make modifications to the specifications and materials.